

DAMAGE REPORT

Inbound carrier: AS NINA
ASNI426S 426S 01-Jul-2024 16:18

Container	Damage type	Damage location
MSKU0466118	DENT	LEFT
MAEU4713199	CUT	TARPAULIN
MAEU4713199	CRACK	BOTTOM
MRKU5187834	DENT	RIGHT
MRKU6264827	BENT	LEFT
MRKU6264827	DENT	FLOOR
MRKU6908154	BENT	RIGHT
SUDU2722850	LASHING	RIGHT
SUDU2722850	LASHING	LEFT
MRKU0253682	DENT	DOORSYSTEM
SUDU4871730	CUT	TARPAULIN
SUDU5813527	DENT	LEFT
MRKU4670513	DENT	RIGHT
MIEU3015306	DENT	LEFT
MSKU9450679	DENT	RIGHT
MRKU5817086	DENT	BOTTOM
MRKU5817086	BENT	BOTTOM
MRKU5817086	BENT	RIGHT
MRKU5817086	BENT	LEFT
SUDU8784850	DENT	LEFT
GCXU5771723	DIRTY	RIGHT
GCXU5771723	DIRTY	LEFT
SUDU6947325	DENT	LEFT
MRSU3642377	DENT	FLOOR
TCNU1342744	BENT	LEFT
TCNU1342744	BENT	FRONT
MRSU4649036	HOLE	TOPROOF
MRSU3726884	DENT	LEFT



Signed for receipt only,
without prejudice of liability.
Discharged same condition as
loaded.

Without any liability accepted
Constanta South Container Terminal
Planning Department
Page 1 of 7

Container	Damage type	Damage location
MSKU4612102	DENT	LEFT
MAEU4665212	CUT	TARPAULIN
MAEU4121991	CUT	TARPAULIN
SUDU8785373	DENT	RIGHT
SUDU8785373	DENT	LEFT
MSKU0290857	DENT	RIGHT
MAEU4165855	CUT	TARPAULIN
MRKU0733871	DENT	RIGHT
MAEU4196901	CUT	TARPAULIN
TCNU6399974	DENT	FRONT
TCNU6399974	SCRATCHED	RIGHT
TCLU7035964	CUT	TARPAULIN
TRHU6540094	DENT	RIGHT
MRKU6957539	BENT	RIGHT
MRKU6957539	BENT	LEFT
MRKU6957539	BENT	BOTTOM
MRKU6957539	HOLE	BOTTOM
TCNU7577263	DENT	LEFT
TCNU7577263	BENT	LEFT
MAEU4718755	CUT	TARPAULIN
MSKU5149538	DENT	CORNER
TCKU1106111	BENT	DOORSYSTEM
BEAU5102050	DENT	LEFT
MSKU2638601	BENT	BOTTOM
MRKU8608747	DENT	LEFT
MAEU4679704	CUT	TARPAULIN
TCKU6945345	DENT	RIGHT
TRHU5096869	DENT	RIGHT
MRKU9945357	CUT	FRONT
MAEU9207439	DENT	LEFT
MRKU8247644	BENT	RIGHT
MRKU8458713	BENT	RIGHT
MRKU8458713	DENT	RIGHT
HASU4818820	BENT	LEFT



Signed for receipt only,
without prejudice of liability.
Discharged same condition as
loaded.

Container	Damage type	Damage location
MAEU4135043	CUT	TARPAULIN
MSKU0732814	BENT	FRONT
MAEU4039287	CUT	TARPAULIN
MRKU0673469	CUT	DOOR
PONU8054842	BENT	LEFT
MAEU4056200	CUT	TARPAULIN
MRKU4864210	BENT	RIGHT
MRKU8571442	DENT	LEFT
MRKU5637124	BENT	CORNER
MRKU5637124	DENT	FLOOR
MRKU5637124	BENT	RIGHT
CAAU6396578	DENT	FRONT
MAEU4725461	CUT	TARPAULIN
MSKU4611533	BENT	RIGHT
MSKU4611533	DENT	LEFT
MRSU5283764	BENT	LEFT
CIPU5048730	BENT	RIGHT
CIPU5048730	BENT	RIGHT
CIPU5048730	BENT	RIGHT
MRKU0690661	BENT	RIGHT
MRKU0690661	BENT	LEFT
TTNU1123116	DENT	CORNER
TTNU1123116	DENT	CORNERPOST
TTNU1123116	TORN	CORNER
MRKU9850375	DENT	RIGHT
CRHU1001658	DENT	FRONT
MRKU4605903	DENT	LEFT
MSKU1290070	DENT	LEFT
MSKU1290070	CUT	BACK
MAGU5314502	TORN	DOORSYSTEM
TRHU6471882	BENT	RIGHT
MSKU9548773	HOLE	FRONT
MRSU3025014	BENT	RIGHT
MRSU3025014	DENT	RIGHT



Signed for receipt only,
without prejudice of liability.
Discharged same condition as
loaded.

any liability accepted
Constanta South Container Terminal
Planning Department
Page 3 of 7

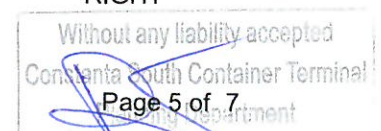
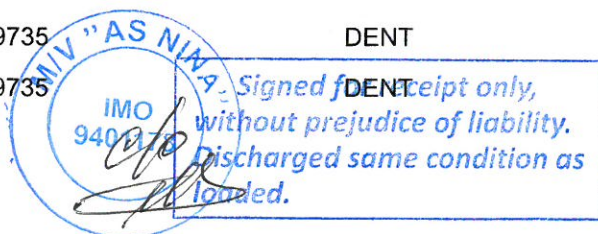
Container	Damage type	Damage location
HASU5085732	DENT	LEFT
MAEU4727572	CUT	TARPAULIN
MSKU0391169	DENT	LEFT
MAEU4648576	CUT	TARPAULIN
SUDU7584311	BENT	RIGHT
TLLU5933772	DENT	LEFT
MRSU4362529	CUT	LEFT
MAEU4075010	CUT	TARPAULIN
HASU4400763	DENT	FRONT
TRHU7952331	DENT	LEFT
MRKU2415714	DENT	RIGHT
MAEU4676346	CUT	TARPAULIN
MSKU6473731	DENT	BOTTOM
MRKU3851482	BENT	RIGHT
MRKU3851482	BENT	LEFT
TCNU2730488	BENT	RIGHT
TCNU2730488	BENT	LEFT
MAEU3472501	CUT	TARPAULIN
MAEU3472501	LOOSE	LASHING
TCKU7286448	DENT	LEFT
MAEU4729092	CUT	TARPAULIN
PONU0465805	DENT	LEFT
TGBU9664372	DENT	RIGHT
CCLU7295501	BENT	LEFT
MRKU2781396	DENT	RIGHT
MSKU0110560	BENT	LEFT
MSKU0110560	DENT	LEFT
MRKU5256278	DENT	LEFT
MSKU4621038	IMO LABEL	BACK
MSKU4621038	IMO LABEL	DOOR
MRKU8890856	DENT	LEFT
MSKU7918396	HOLE	RIGHT
MAEU3487076	CUT	TARPAULIN
MSKU9118480	DENT	RIGHT



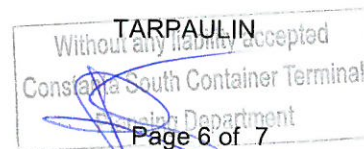
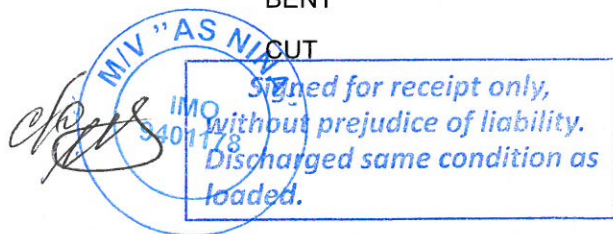
Signed for receipt only,
without prejudice of liability.
Discharged same condition as
loaded.

Without any liability accepted
Constantia South Container Terminal
Page 4 of 7 partment

Container	Damage type	Damage location
MSKU9118480	DENT	LEFT
TCKU3613244	BENT	LEFT
HASU1312674	BENT	LEFT
HASU1163040	DENT	RIGHT
MSKU5766000	BENT	BOTTOM
MRKU9529350	DENT	LEFT
MSKU1423023	BENT	RIGHT
MRSU6096840	DENT	LEFT
MRSU5319888	DENT	LEFT
MRSU5879389	BENT	RIGHT
TCNU2623134	DENT	LEFT
MSKU8135369	DENT	LEFT
MSKU8636801	DENT	LEFT
MSKU2664410	CUT	FRONT
MSKU7085474	DENT	FRONT
TGBU6845736	DENT	RIGHT
TGHU0156460	CUT	FRONT
TGHU0156460	HOLE	FRONT
TGHU0156460	DENT	FRONT
TGHU0156460	DENT	LEFT
MSKU6628561	HOLE	TOPROOF
MRKU4260946	DENT	LEFT
MRKU4260946	DENT	FRONT
SUDU7559176	DENT	CORNER
SUDU7559176	DENT	CORNERPOST
MRKU3936785	BENT	LEFT
MRKU3936785	BENT	RIGHT
WSDU4930345	CUT	FRONT
TGHU9690202	DENT	LEFT
MRKU2000554	DENT	LEFT
HASU4146427	DENT	RIGHT
MRKU2643993	DENT	LEFT
TCLU8459735	DENT	LEFT
TCLU8459735	DENT	RIGHT



Container	Damage type	Damage location
MRKU3300849	BENT	LEFT
MRKU3300849	DENT	RIGHT
MAEU4144003	CUT	TARPAULIN
MRSU5028326	DENT	LEFT
CAXU3180445	DENT	DOORSYSTEM
MRKU7229332	DENT	RIGHT
MSKU9368832	BENT	RIGHT
TRLU6961569	CUT	TARPAULIN
MRKU9988301	BENT	FRONT
MRKU9988301	CUT	FRONT
MRKU9988301	HOLE	FRONT
TRLU7640455	DENT	RIGHT
TCKU1373360	TORN	CORNER
HASU4683766	DENT	LEFT
MAEU4139732	CUT	TARPAULIN
TCKU1531980	BENT	RIGHT
TCKU1531980	DENT	RIGHT
MRKU5570571	DENT	RIGHT
PONU0063806	DENT	LEFT
MSKU6275016	BENT	LEFT
MSKU6275016	DENT	FLOOR
MRSU0236559	DENT	DOORSYSTEM
TCKU1061819	DENT	LEFT
DFSU6073688	DENT	CORNERPOST
TRHU8430497	DENT	LEFT
MSKU8946216	DENT	RIGHT
MRKU2474743	DENT	RIGHT
MRKU2474743	DENT	LEFT
SUDU8924606	BENT	TOPROOF
MRKU2557133	BENT	RIGHT
MRKU2557133	DENT	LEFT
TLLU5864938	DENT	LEFT
SUDU8938195	BENT	RIGHT
MAEU4644924	CUT	TARPAULIN



Container	Damage type	Damage location
MRSU3116433	DENT	RIGHT
MSKU1712617	DENT	RIGHT
MRKU5942600	DENT	RIGHT
MSKU4472757	DENT	LEFT
TCLU1397307	DENT	LEFT
MRSU0099137	DENT	CORNERPOST
MRSU4569347	DENT	LEFT
CIPU5177104	DENT	LEFT
MRKU6218518	DENT	LEFT
MAEU4050368	CUT	TARPAULIN
TRHU6215767	BENT	RIGHT
HASU4276204	DENT	CORNERPOST
HASU4276204	DENT	LEFT
MSKU7073175	BENT	RIGHT
MSKU7073175	BENT	BOTTOM
MSKU7073175	HOLE	BOTTOM
MSKU7073175	CUT	BOTTOM
MRSU4102326	DENT	RIGHT
MRSU4102326	DENT	LEFT

M/V "AS NINA"
IMO
9401178

Signed for receipt only,
without prejudice of liability.
Discharged same condition as
loaded.

Without any liability accepted
Constantia South Container Terminal
Receiving Department
Page 7 of 7



DP WORLD

Constanta South Container Terminal S.R.L

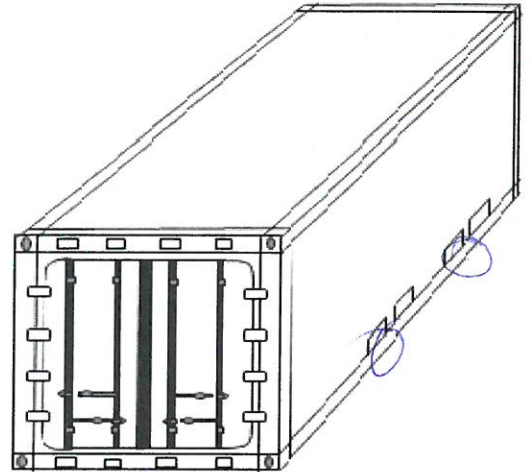
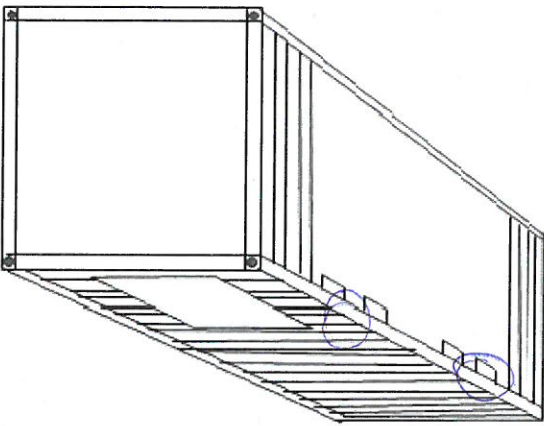
CONTAINER DAMAGE REPORT

DISCHARGED VESSEL	MV. <u>AS NINA</u>	CONTAINER NUMBER
YARD	LOCATION :	<u>SUDU 2722850</u>

Report Dated : 29.06.2024

CONDITION INSPECTION REPORT

- | | | |
|----------|------------------|-------------|
| D DENTED | L LEAKING | C CUTTED |
| T TORN | R RIPPED | S SCRATCHED |
| H HOLE | W HEAVILY RUSTED | I IMO LABEL |
| C CORNER | D DOOR | B BOTTOM |
| F FRONT | R RIGHT | T TOP |
| A BACK | L LEFT | |



REMARKS:

LASHING IT'S DAMAGE - BENT, BROKEN

*Signed for receipt only,
without prejudice of liability.
Discharged same condition as
loaded.*

Above container discharged in damage
as per exceptions noted above

Received without any liability accepted
Constanta South Container Terminal
Shift Manager

Details of damage recorded

sd/ MASTER / CHIEF OFFICER
Vessel stamp and signature

By : On behalf of CSCT
Name : CALUSTIAN OCTAVIAN